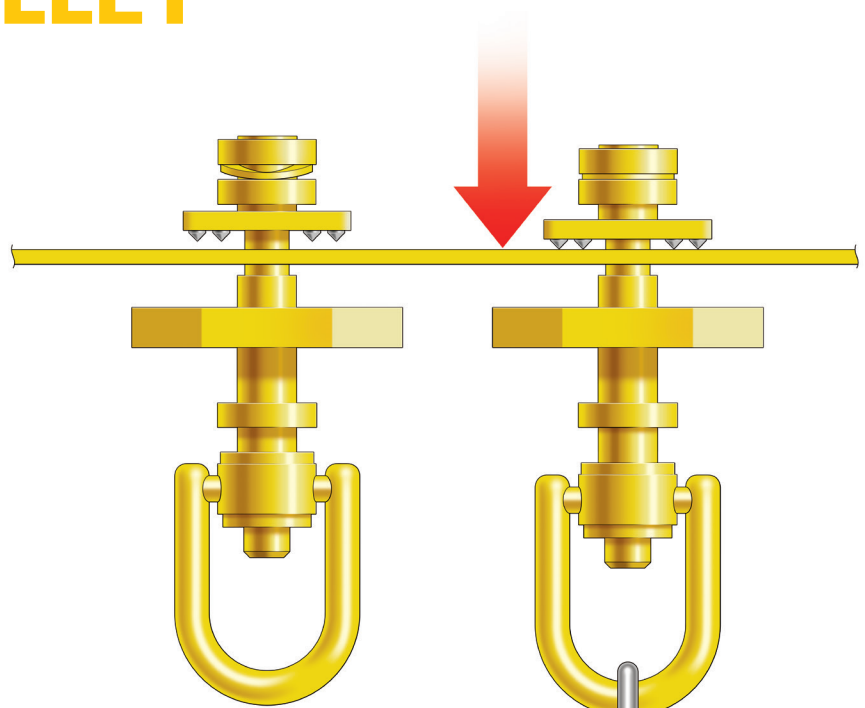


# ANCHOR TRACK™ SYSTEMS ANCHOR TROLLEY™

## Stop the Drift, Start the Self-Rescue!

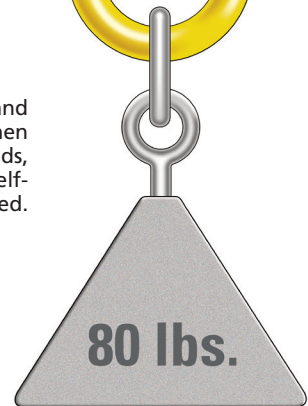
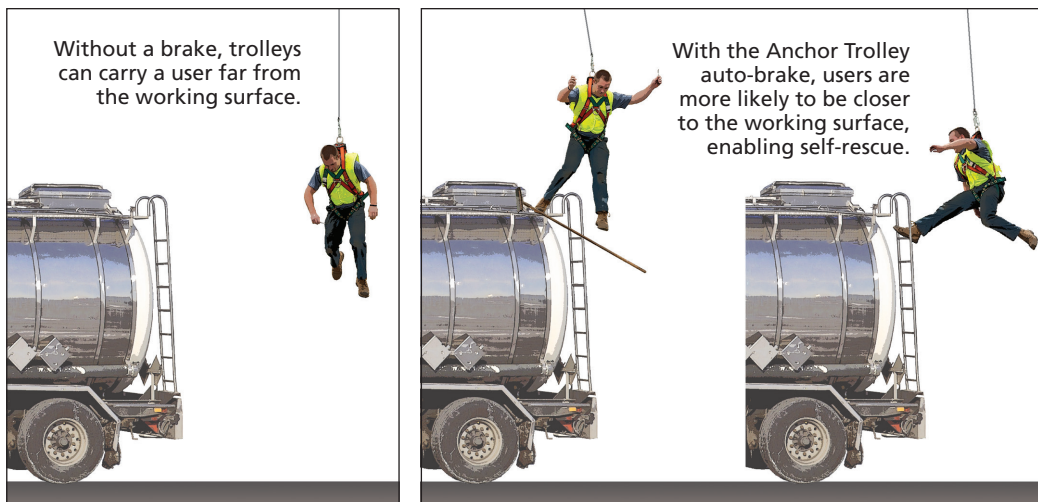
- Brakes automatically after a fall
- Greatly increases the opportunity for self-rescue

The Anchor Trolley from Rigid Lifelines is our ultimate innovation in rolling trolley technology. The Anchor Trolley is designed with hardened steel alloy cone teeth that act as a braking mechanism and engage the steel track in the event of a fall. The Anchor Trolley virtually eliminates post-fall drift and greatly increases the ability for conscious and able-bodied users to self-rescue.

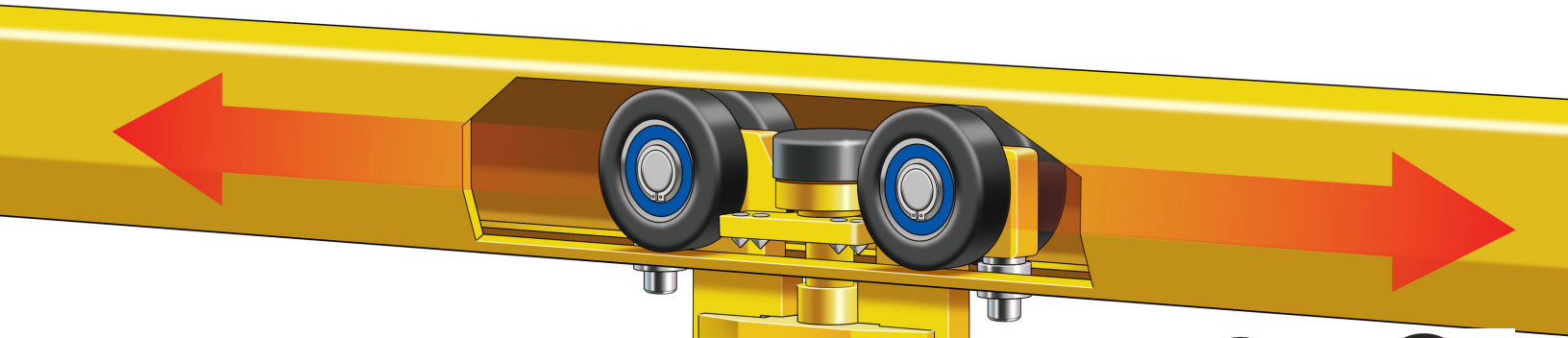


Hardened steel teeth activate and arrest any trolley movement when any force greater than 80 pounds, including the weight of the self-retracting lanyard, is applied.

## Greatly Reduces Risk of Suspension Trauma



# ANCHOR TRACK™ SYSTEMS ANCHOR TROLLEY™



## Super Responsive Anchor Trolley

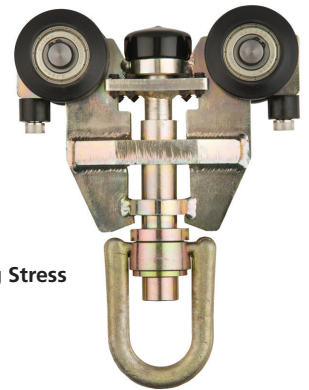
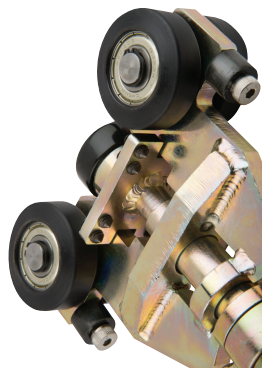
On rigid track fall protection systems, the key to user acceptance is how easily the trolley rolls. Rigid Lifelines achieves minimum rolling resistance on our Anchor Trolley by using:

- Enclosed track to protect trolley wheels and their alignment
- Sealed bearings for trolley wheels
- Self-cleaning Anchor Track

Our Anchor Trolley rolls smoothly and effortlessly to follow the user. When the user stops, the Anchor Trolley immediately brings the self-retracting lanyard (SRL) as close as possible to the worker. The braking mechanism also responds quickly, reducing the risk of injury.

Our Anchor Trolley design is made from non-consumable materials that are weatherproof and temperature-proof.

Call **800-869-2080** to have your local Rigid Lifelines fall protection distributor make expert recommendations for your facility.



## Swiveling Connector Eliminates Side-Loading Stress

On many of our fall protection systems, users are free to travel up to 30° off-plumb of the track. On competing systems, that sort of travel would cause side-loading stress to the trolley's swiveling connector. By comparison, the swiveling connector on our Anchor Trolley rotates 360°—preventing the lanyard's strap from getting twisted. And the swiveling connector also swivels 180° off-plumb to minimize side-loading stresses. These swiveling and pivoting actions are virtually imperceptible to the user. Together, they provide maximum freedom of movement and minimal equipment wear.



Watch our video showing how fast our Anchor Trolley stops this user, enabling a quick self-rescue.

Visit: [RigidLifelines.com/Anchor-Trolley](https://www.RigidLifelines.com/Anchor-Trolley)