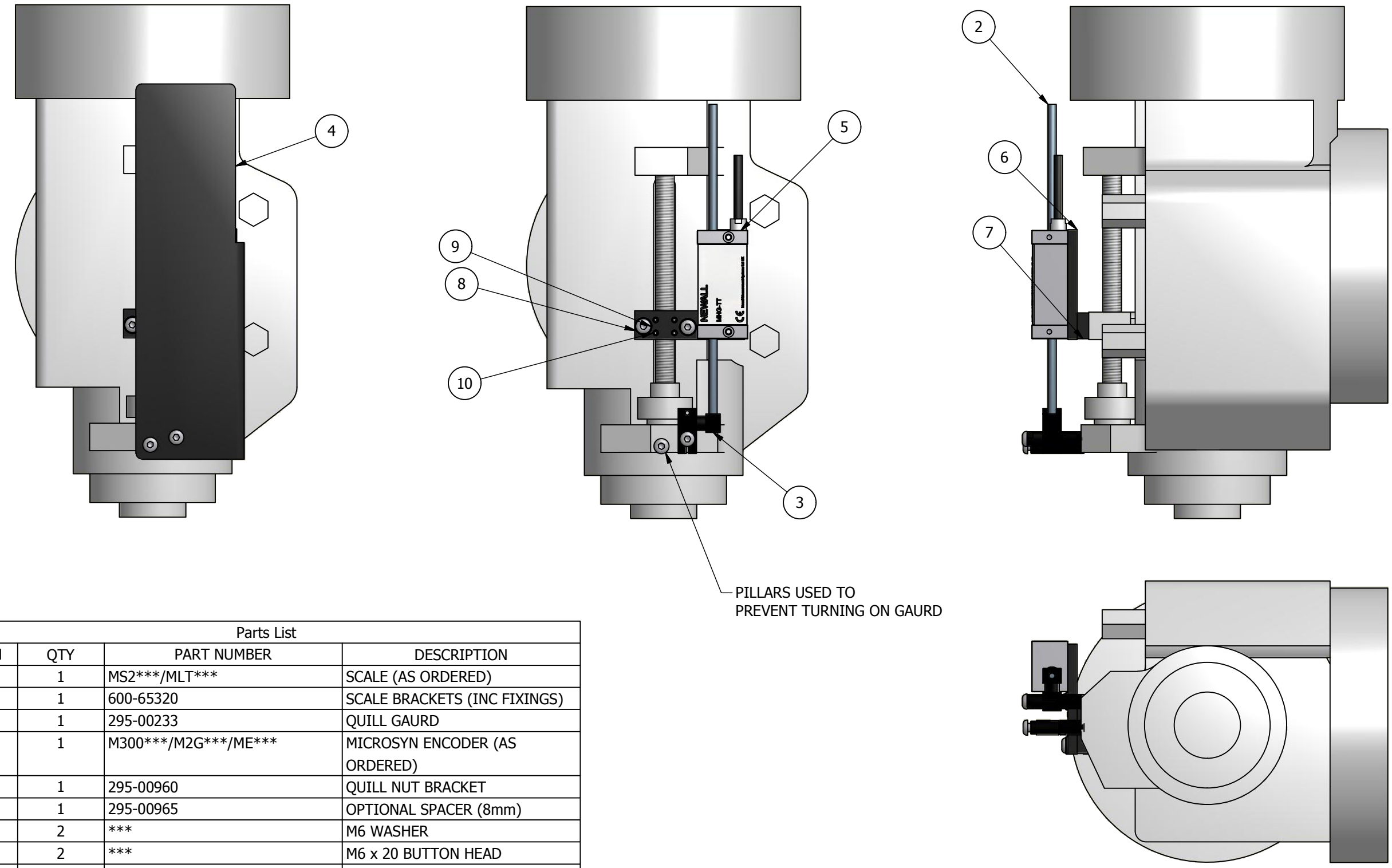


PART NO: (600-90980)
 QUILL KIT FOR USE WITH SQAURE QUILL NUTS
 FITS 1 MICROSYN "300", "SERIAL" OR M2G ENCODERS
 USE IN CONJUNCTION WITH ENCODER INSTALL GUIDE 023-82510



Parts List			
ITEM	QTY	PART NUMBER	DESCRIPTION
2	1	MS2***/MLT***	SCALE (AS ORDERED)
3	1	600-65320	SCALE BRACKETS (INC FIXINGS)
4	1	295-00233	QUILL GAURD
5	1	M300***/M2G***/ME***	MICROSYN ENCODER (AS ORDERED)
6	1	295-00960	QUILL NUT BRACKET
7	1	295-00965	OPTIONAL SPACER (8mm)
8	2	***	M6 WASHER
9	2	***	M6 x 20 BUTTON HEAD
10	4	***	M4 x 12 SET SCREW

REV. ISS.	DATE	C.N.No	ALTERATION	TITLE 600-90980 - BRACKET KIT	MATERIAL/FINISH SEE ABOVE	SCALE NTS	UNLESS OTHERWISE STATED: - TOLERANCES: - 0 DECIMAL PLACES ± 0.5 1 DECIMAL PLACES ± 0.2 2 DECIMAL PLACES ± 0.1 DIMENSIONS ARE IN M.M. ANGULAR ± 1°
				DRAWN Chris.Wh DATE 14/03/2018	Leicester NEWALL England	SHEET 1 OF 1	DRAWING NUMBER 023-82386 REV. ISS. 0