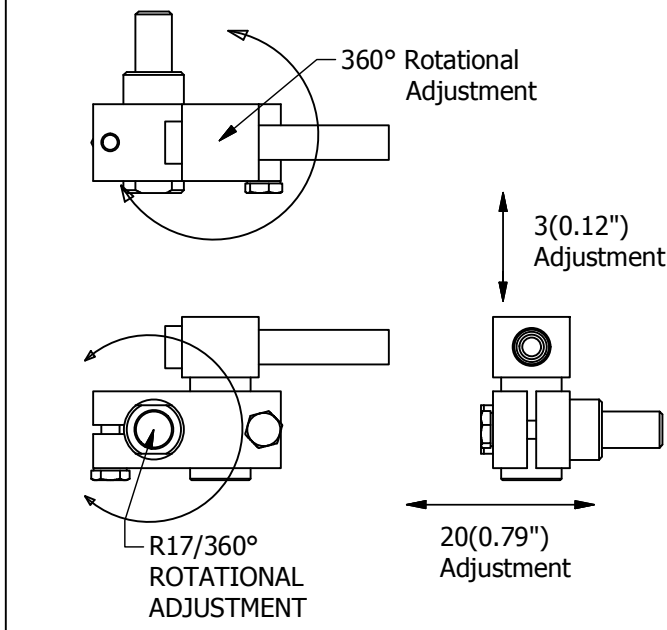
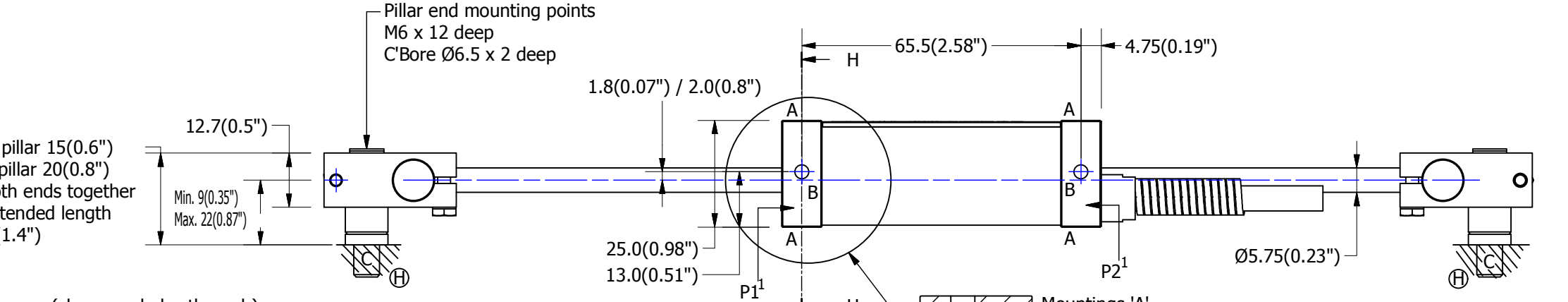
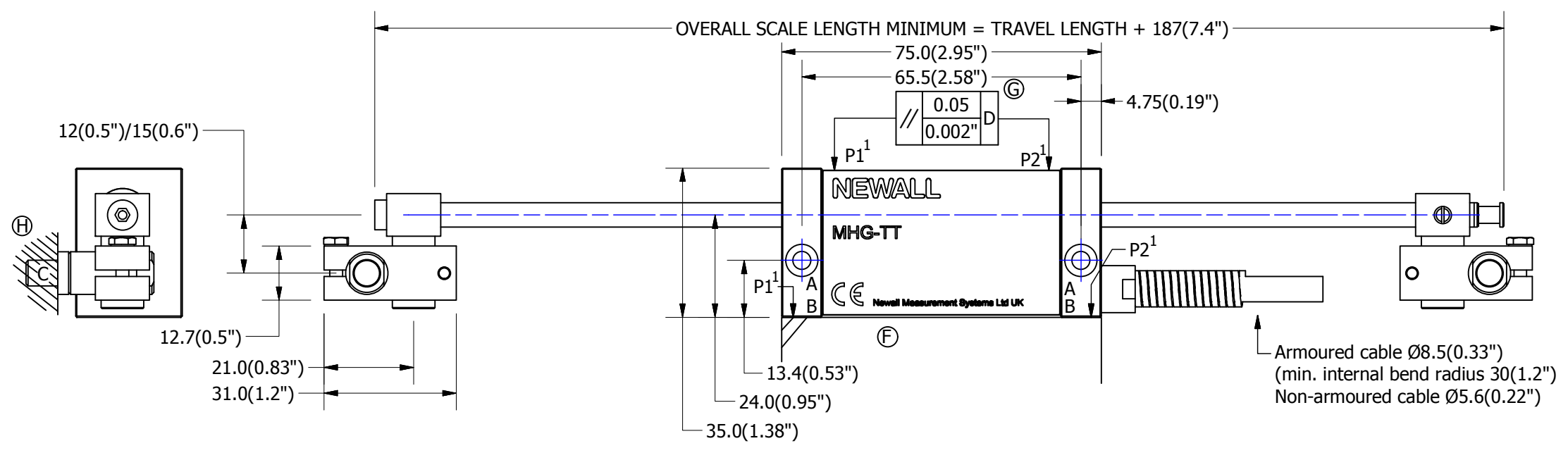
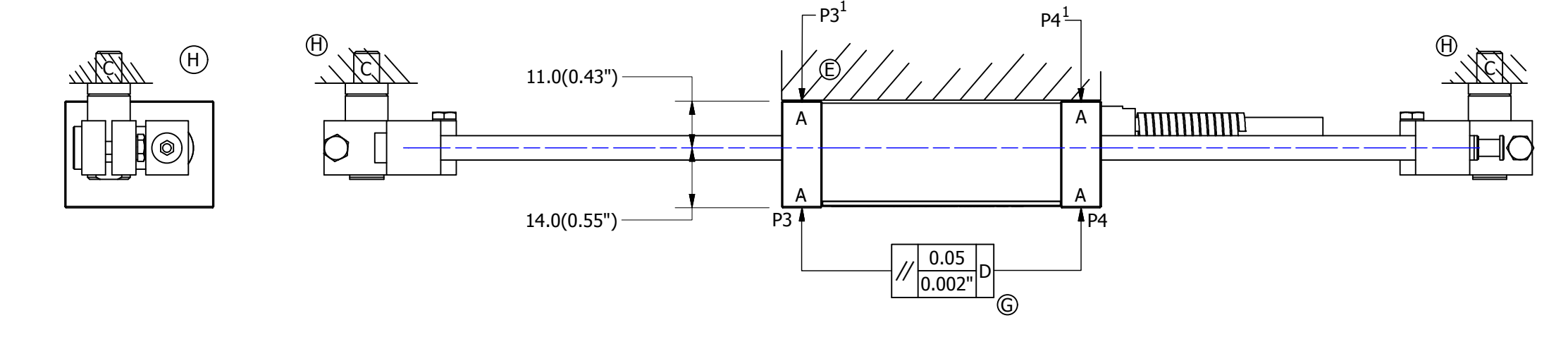


Optional Single End Scale Mounting Kit. Left and right hand versions available. Scale 0.6:1



SCALE MOUNTING BRACKET ADJUSTMENT Scale 0.8:1



- A - Encoder head mounting points 2off for M4 cap head screws (clearance holes through)
- B - Encoder head mounting points 2off for M4 screws (thread depth 8)
- C - Scale pillar mounting studs M6 x 10 (use spacer washer as required)
- D - Machine Guideway
- E/F - Encoder head mounting faces
- G - Indicating parallel alignment required between encoder head and axis travel
- H - Scale end mounting points to machine bed
- P - Installation alignment points

DIMENSIONS - mm(ins")
FOR FURTHER INFORMATION REFER TO INSTALLATION MANUAL

				TITLE MHG Series Linear Encoders		MATERIAL/FINISH		SCALE 1:1		UNLESS OTHERWISE STATED: - TOLERANCES: - 0 DECIMAL PLACES ± 0.5 1 DECIMAL PLACES ± 0.2 2 DECIMAL PLACES ± 0.1 ANGULAR ± 1'	
1	27/11/13	ECN9370	IMPERIAL FIXINGS REMOVED, NOW METRIC ONLY	CWH	DRAWN T.Hatherley	N		SHEET 1 OF 1		DRAWING NUMBER 316-85620 REV. ISS. 1	
REV. ISS.	DATE	C.N.No	ALTERATION		DATE	09/03/2009	Leicester	England	THIS DRAWING IS THE PROPERTY OF NEWALL MEASUREMENT SYSTEMS LTD. THE INFORMATION THEREON MAY NOT BE COPIED OR USED WITHOUT WRITTEN PERMISSION		