

NEWALL

Kit Contents Knee/Turret Bracket Kit - Metric Part No: BPK01-M

This kit mounts two Spherosyn/SHG/DSG reader heads.



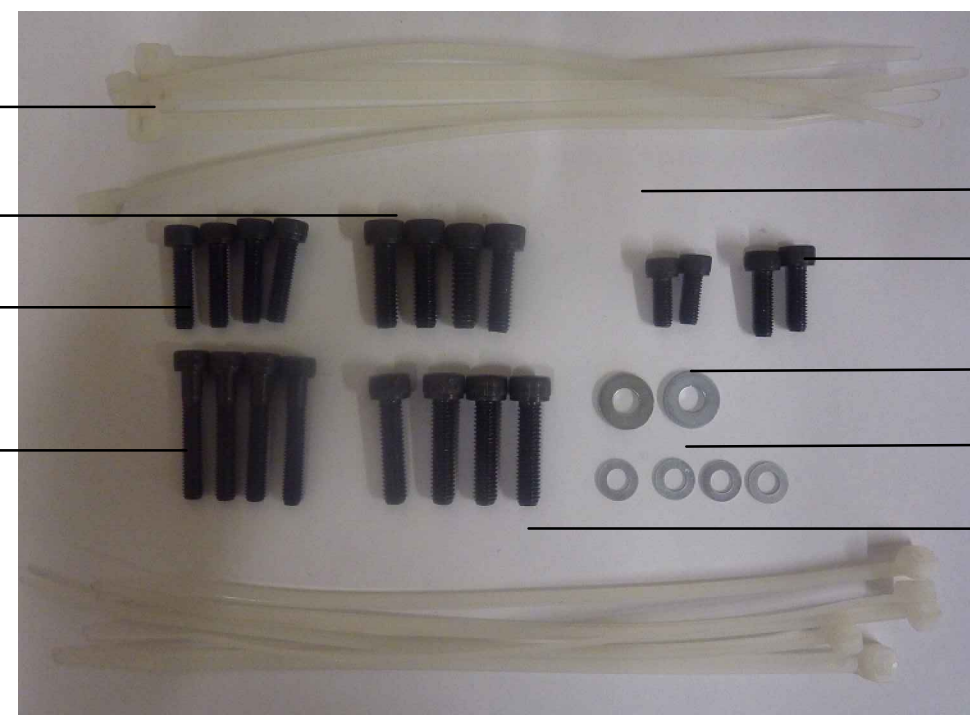
294-23210 Cut Out Bar (1)



294-98290 Large Flat Plate (1)




294-22430 Rectangular Bar (1)



- Cable Ties (10)
- M6 x 20 Cap Head Screw (4)
- M5 x 20 Cap Head Screw (4)
- M5 x 30 Cap Head Screw (4)

- M5 x 12 Cap Head Screw (2)
- 1/4" - 20UNC x 3/4" Cap Head Screw (2)
- M6 Washer (2)
- M5 Washer (4)
- M6 x 25 Cap Head Screw (4)

note: some modification of brackets may be necessary during installation.

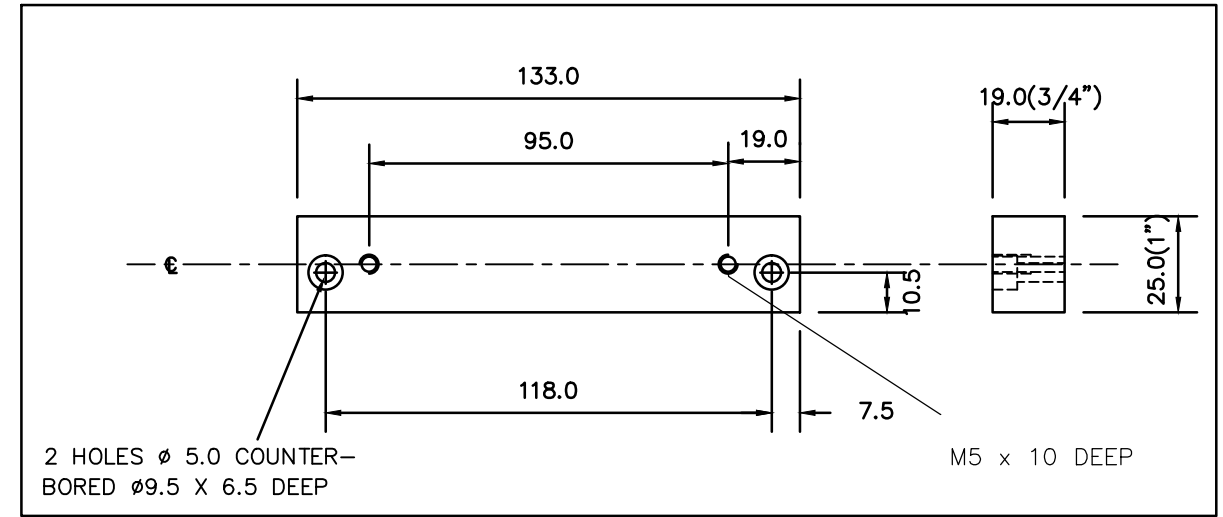
				TITLE. <i>KIT CONTENTS BPK01-M</i>		MATERIAL/FINISH. -----		SCALE N/A	UNLESS OTHERWISE STATED: - TOLERANCES: - 0 DECIMAL PLACES ±0.5 1 DECIMAL PLACE ±0.2 2 DECIMAL PLACES ±0.1 ANGULAR ±1°	
2	09/03/15	Pre-Prod	Kit Name Change	CWh	DRAWN C.WHITMORE 08-01-14		 Leicester England	SHEET 1 OF 2	DRAWING NUMBER 023-81840	REV. ISS. 2
1	25/2/15	9461	misc metric changes	CWh	CHECKED	APPROVED				
REV.ISS.	DATE	C.N.No.	ALTERATION							

THIS DRAWING IS THE PROPERTY OF NEWALL MEASUREMENT SYSTEMS LIMITED. THE INFORMATION THEREON MAY NOT BE COPIED OR USED WITHOUT WRITTEN PERMISSION

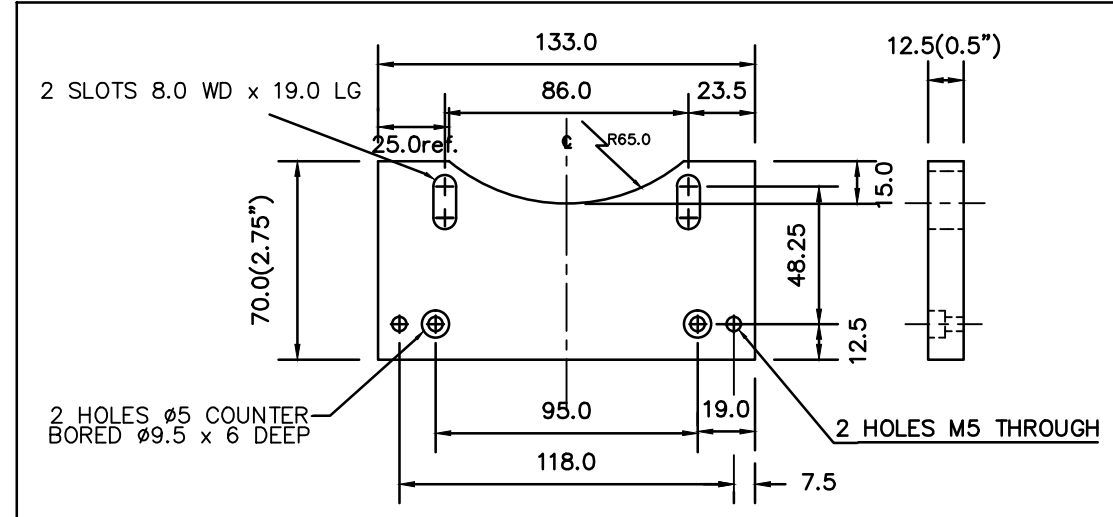
NEWALL

Kit Contents Knee/Turret Bracket Kit - Metric Part No: BPK01-M

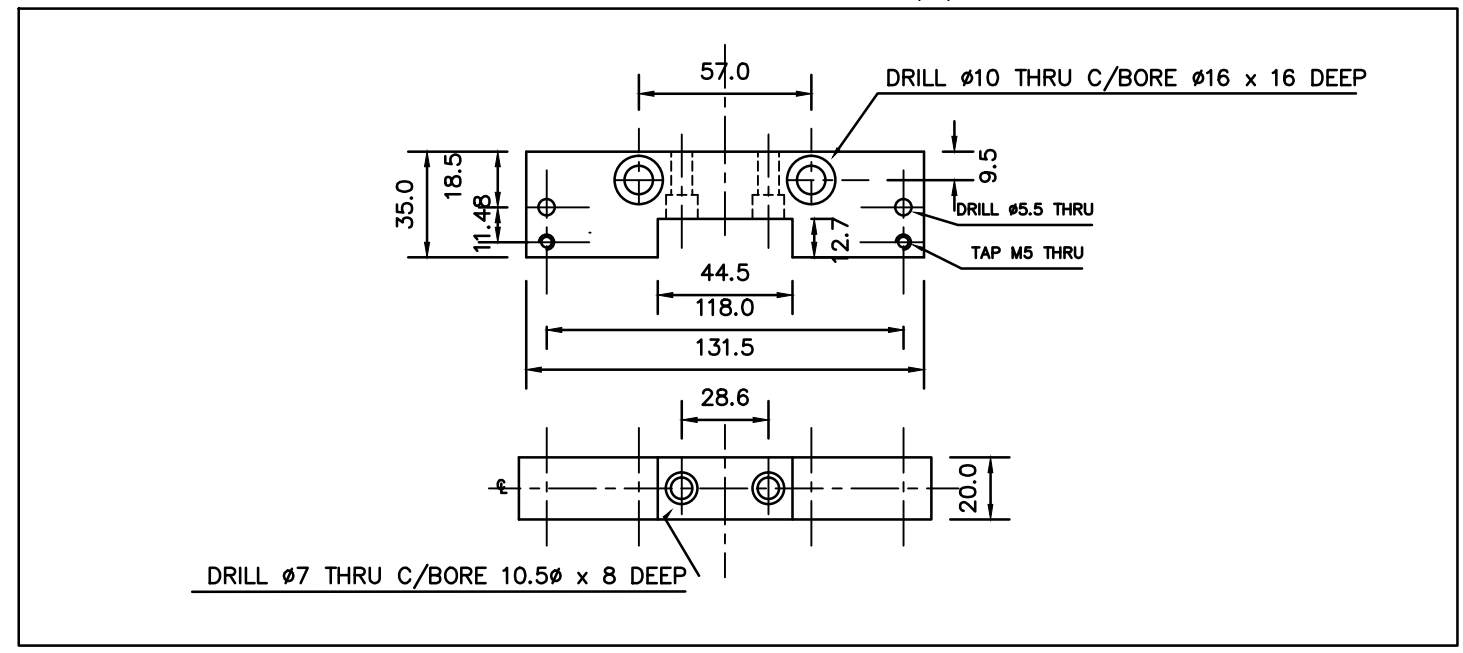
294-22430 Rectangular Bar (1)




294-98290 Large Flat Plate (1)



294-23210 Cut Out Bar (1)



		TITLE. <i>KIT CONTENTS BPK01-M</i>		MATERIAL/FINISH. -----		SCALE N/A	UNLESS OTHERWISE STATED: - DIMENSIONS ARE IN M.M.		TOLERANCES: - 0 DECIMAL PLACES ±0.5 1 DECIMAL PLACE ±0.2 2 DECIMAL PLACES ±0.1 ANGULAR ±1°			
2	09/03/15	Pre-Prod	Kit Name Change	CWh								
1	25/2/15	9461	misc metric changes	CWh	DRAWN	C. WHITMORE	08-01-14	 Leicestershire England THIS DRAWING IS THE PROPERTY OF NEWALL MEASUREMENT SYSTEMS LIMITED. THE INFORMATION THEREON MAY NOT BE COPIED OR USED WITHOUT WRITTEN PERMISSION.		SHEET	DRAWING	REV.
REV. ISS.	DATE	C.N.No.	ALTERATION	CHECKED	APPROVED					2 OF 2	NUMBER	023-81840