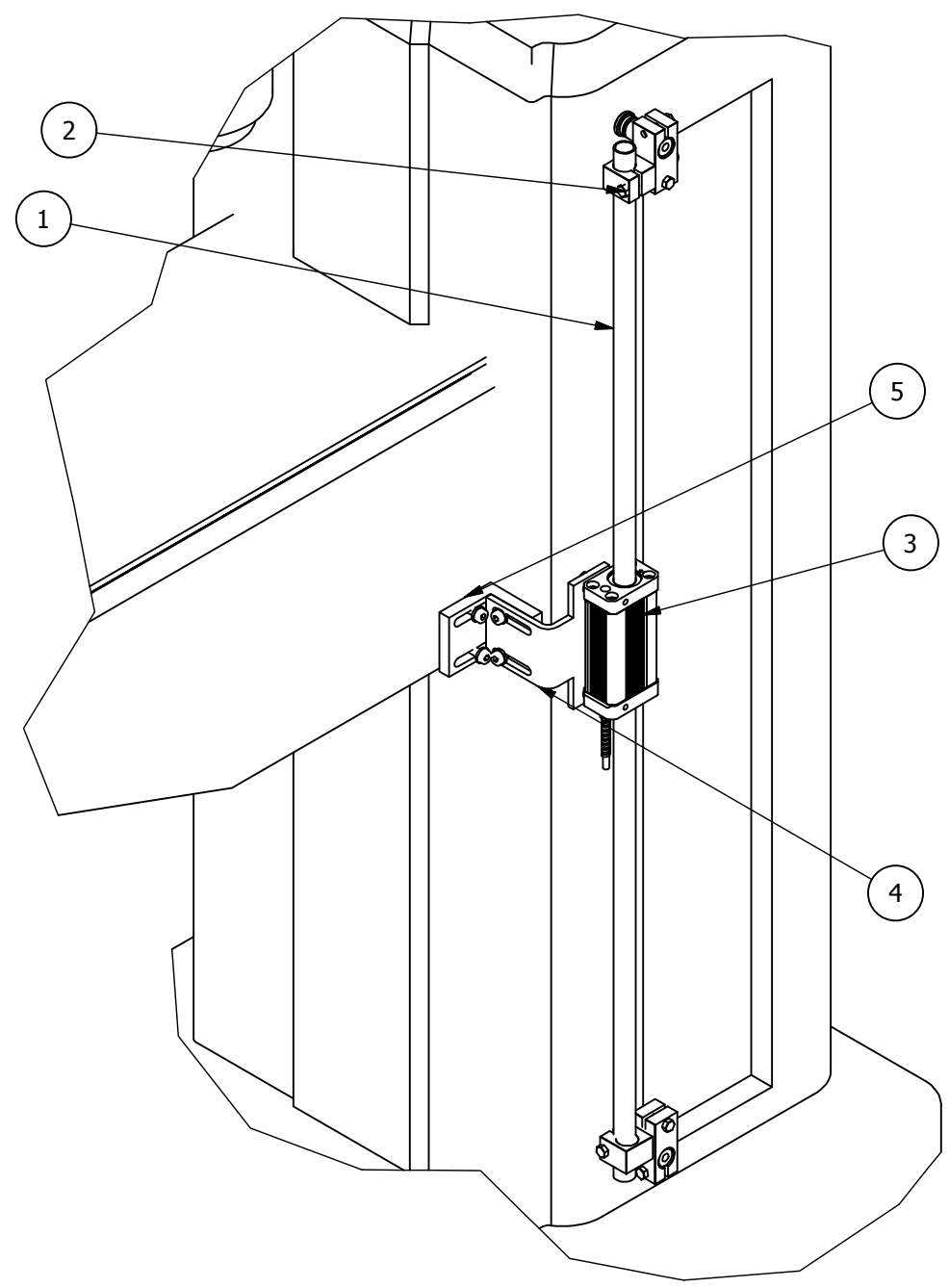
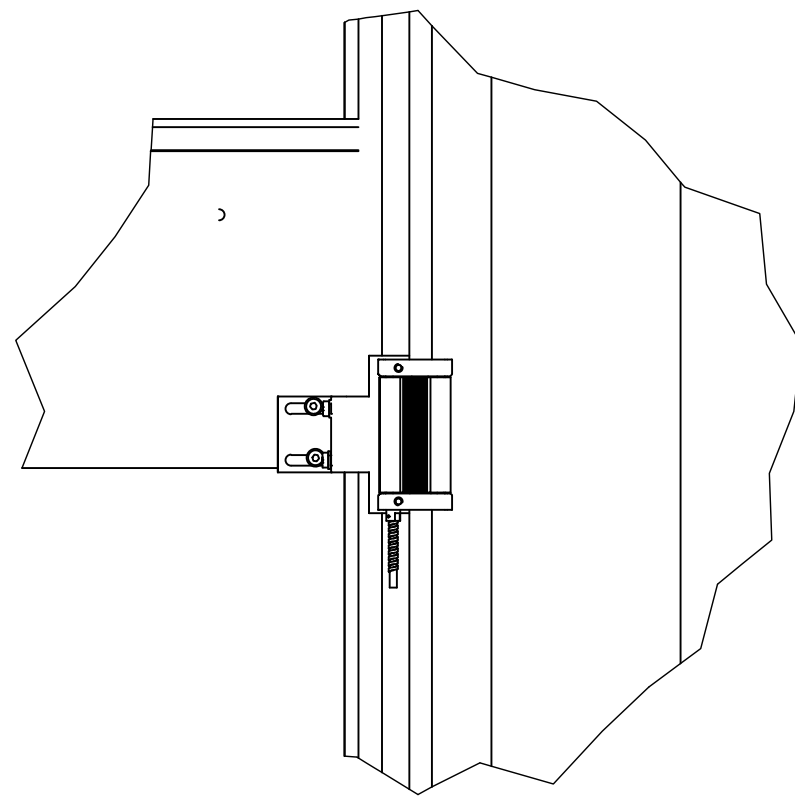
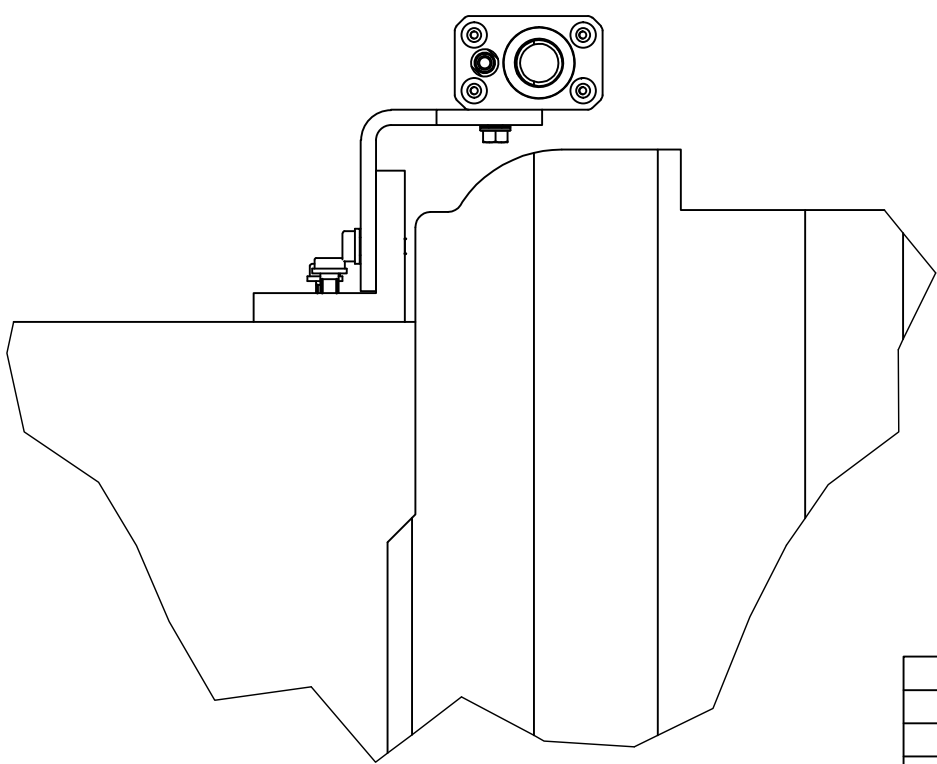
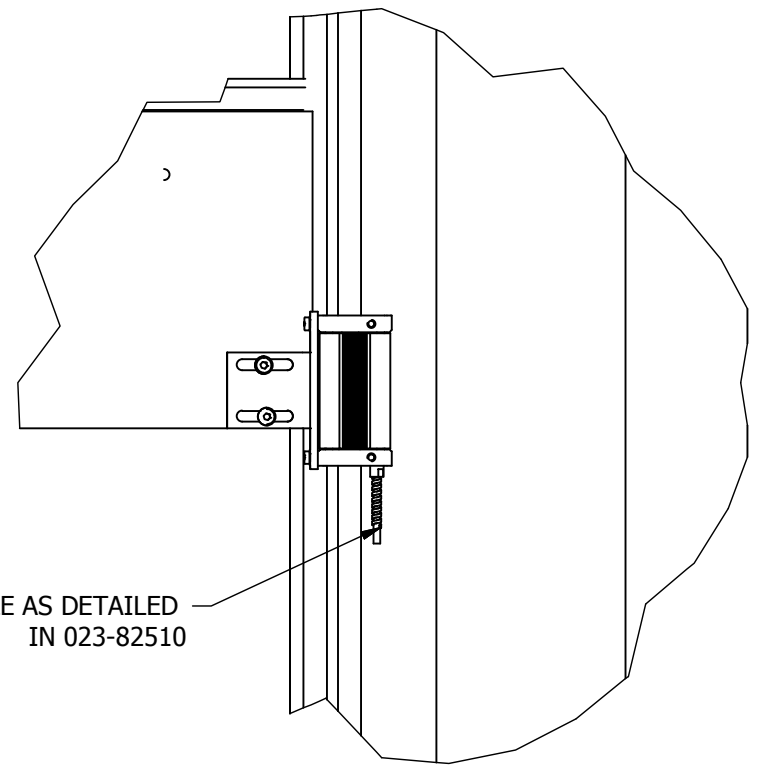


**PART NO: (KBK010)**  
 Z (KNEE) AXIS MILLING MACHINE BRACKET KIT  
 FITS 1 SPHEORSYN "300" OR "SERIAL" ENCODERS  
 USE IN CONJUNCTION WITH ENCODER INSTALL GUIDE 023-82510

**Z AXIS FITTING OPTION A**



**Z AXIS FITTING OPTION B**

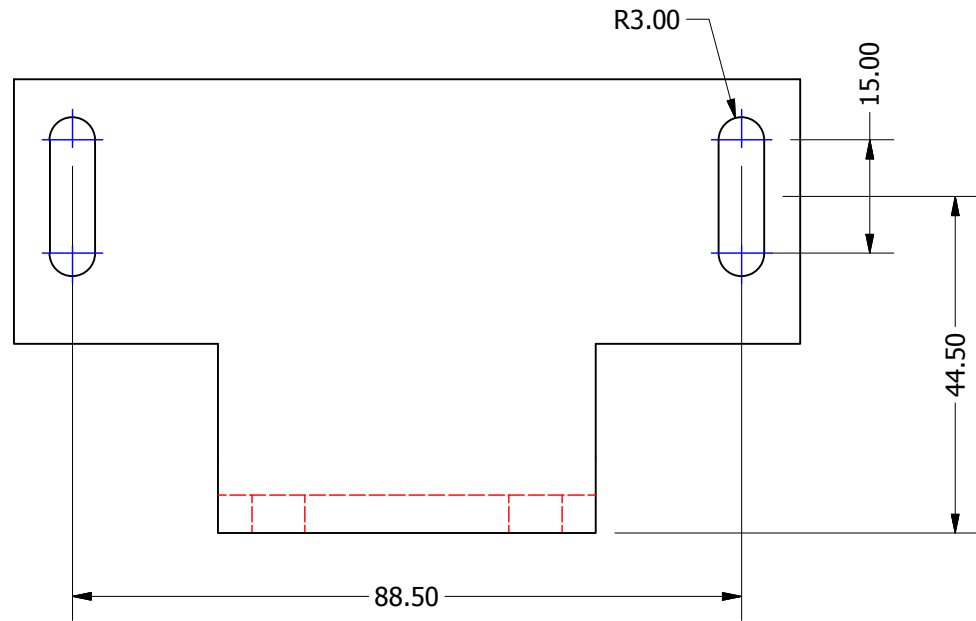


Parts List			
ITEM	QTY	PART NUMBER	DESCRIPTION
1	1	SS*** OR SLT***	SCALE (AS ORDERED)
2	2	600-66810M/EP-2722	SCALE BRACKETS (AS ORDERED)
3	1	S300-*** OR SE***	ENCODER (AS ORDERED)
4	1	295-00970	MILLING MACHINE KNEE BRACKET
5	1	ED-2768-01	

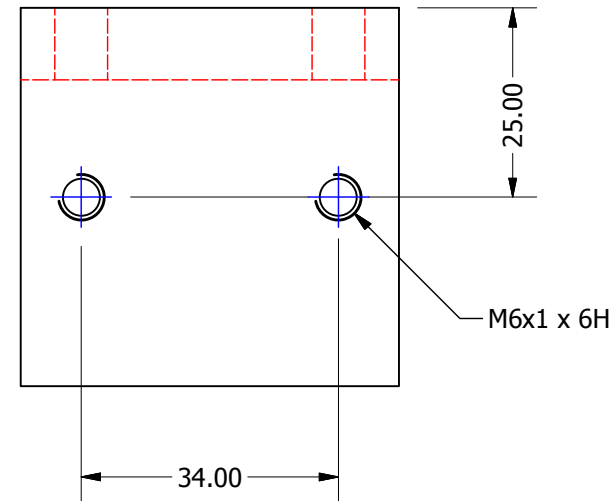
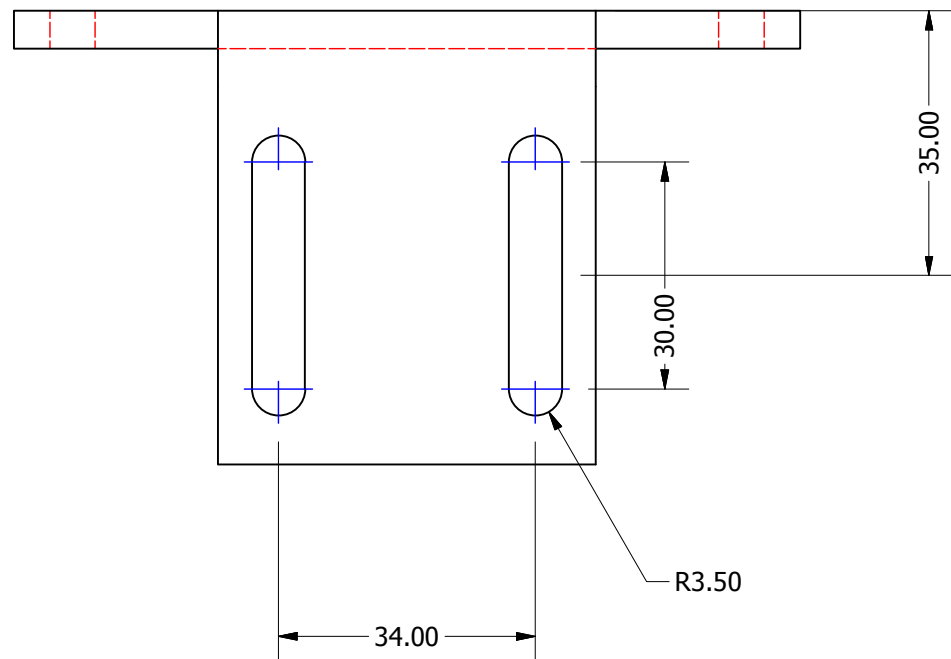
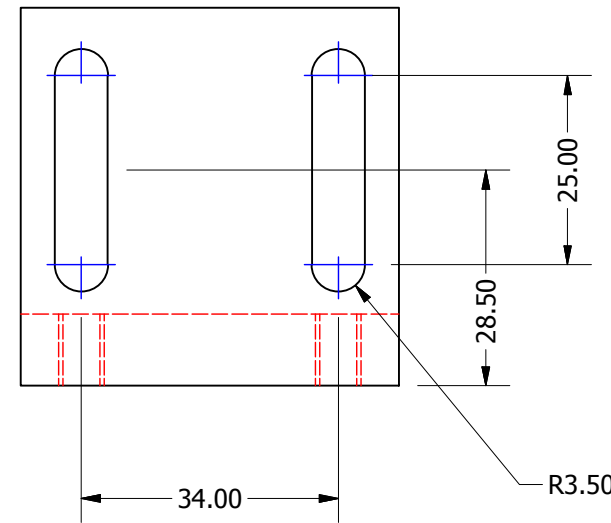
REV. ISS.	DATE	C.N.No	ALTERATION	TITLE KBK010 - BRACKET KIT	MATERIAL/FINISH SEE ABOVE	SCALE N.T.S	UNLESS OTHERWISE STATED: - TOLERANCES: - 0 DECIMAL PLACES ± 0.5 1 DECIMAL PLACES ± 0.2 2 DECIMAL PLACES ± 0.1 ANGULAR ± 1'
				DRAWN Chris.Wh DATE 20/12/2017	Leicester	SHEET 1 OF 2	DIMENSIONS ARE IN M.M
						THIS DRAWING IS THE PROPERTY OF NEWALL MEASUREMENT SYSTEMS LTD. THE INFORMATION THEREON MAY NOT BE COPIED OR USED WITHOUT WRITTEN PERMISSION.	DRAWING NUMBER 023-82384 REV. ISS. 0

# KIT CONTENTS FOR: KBK010

**(QTY 1) 295-00970 KNEE BRACKET**



**(QTY 1) ED-2768/1 TAPPED ANGLE**



BOM		
Pt Number	Description	Qty
295-00970	S300/SERIAL KNEE BRACKET 295-00970/1	1
ED-2768-1	TAPPED ANGLE DRWG TO REV.L	1
	M6 x 20 SOCKET CAP HEAD SCREW	4
	M6 FLAT WASHER	4
	M5 x 10 SCOCKET CAP HEAD SCREWS	2
	M5 x 10 HEX HEAD SCREWS	2
	M5 FLAT WASHER	2
	M4 x 12 TAPTITE SCREWS	8
	CABLE TIES	10
	P CLIP NYLON N4-B	4
	P CLIP METAL AL-4	4
023-82384	BRACKETS DATA SHEET KBK010 023-82384/0	1

				TITLE KBK010 - BRACKET KIT		MATERIAL/FINISH SEE ABOVE		SCALE N.T.S		UNLESS OTHERWISE STATED: - TOLERANCES: - 0 DECIMAL PLACES ± 0.5 1 DECIMAL PLACES ± 0.2 2 DECIMAL PLACES ± 0.1 ANGULAR ± 1'	
				DRAWN Chris.Wh		SHEET 2 OF 2		DRAWING NUMBER 023-82384		REV. ISS. 0	
REV. ISS.	DATE	C.N.No	ALTERATION	DATE	20/12/2017	Leicester NEWALL England		THIS DRAWING IS THE PROPERTY OF NEWALL MEASUREMENT SYSTEMS LTD. THE INFORMATION THEREON MAY NOT BE COPIED OR USED WITHOUT WRITTEN PERMISSION			