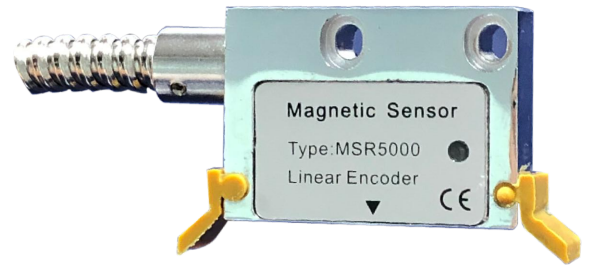


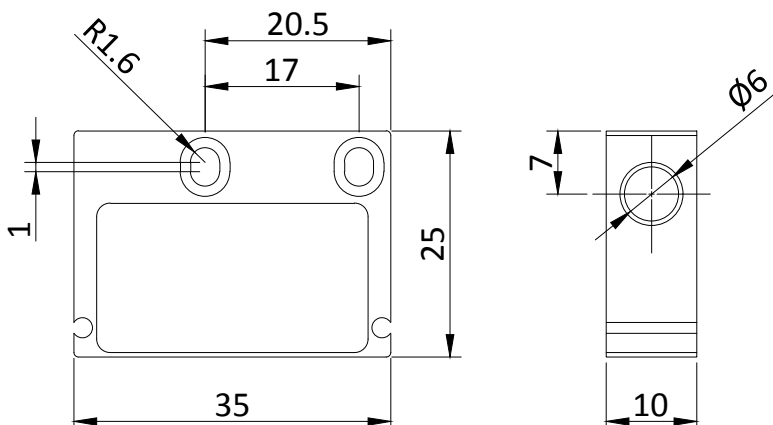
- 1 / 2.5 / 5 / 10 / 25 / $\mu$ m resolution as standard ,  
Other options on request.
- Magnetic contact-less measuring read head.
- RS422/EIA-422-A output signals as standard ,  
Other options on request.
- LED status light
- Wipers equipped for cleaner magnetic scale surface
- IP67 protection



MSR5000

## Technical Parameter

Voltage	4.7V to 7V( The range of antipole and over voltage protection: -20V+20V)
Supply current	< 35mA
Cable Voltage-drop	~4.8mV/m-without load ~12.5mV/m-with 120 $\Omega$ load
Output signal	RS422
Signal Level	UH $\geq$ 2.5V at-IH=20mA UL $\leq$ 0.5V at IL=20mA
Temperature	Working: -10 $^{\circ}$ C+80 $^{\circ}$ C Storage: -40 $^{\circ}$ C+85 $^{\circ}$ C
Resolution	0.01mm,0.005mm,0.001mm Other options on request.
Accuracy	$\pm$ 0.025mm/M
Repeat Accuracy	1 pulse
Maximum cable length	200M

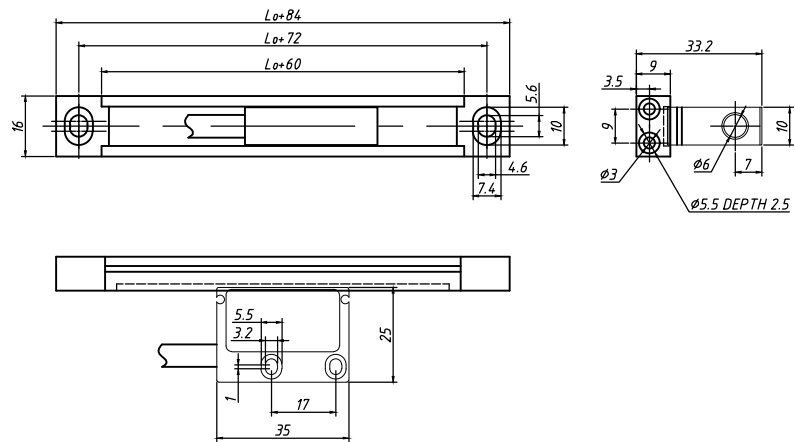


### LINE DRIVER CABLE OUTPUT

A :	GREEN
B :	WHITE
Z :	YELLOW
$\bar{A}$ :	PURPLE OR GRAY
$\bar{B}$ :	BLUE
$\bar{Z}$ :	ORANGE OR BROWN
VDC :	RED
OV(GRN) :	BLACK
F.G :	SHIELD

<p><b>None-contact installation (Recommended)</b></p> <p><b>H:0.1-2.0mm</b></p>	<p><b>Allowed deviation angle</b></p> <p><b>±1°</b></p>	
<p><b>Allowed slope</b></p> <p><b>±3°</b></p>	<p><b>Allowed deflection angle</b></p> <p><b>±3°</b></p>	<p><b>Allowed deviation distance</b></p> <p><b>±1mm</b></p>

## AUMS



## AOMS

