

MILLPWR^{G2}

2 or 3 Axes Control / 3 Axes Readout

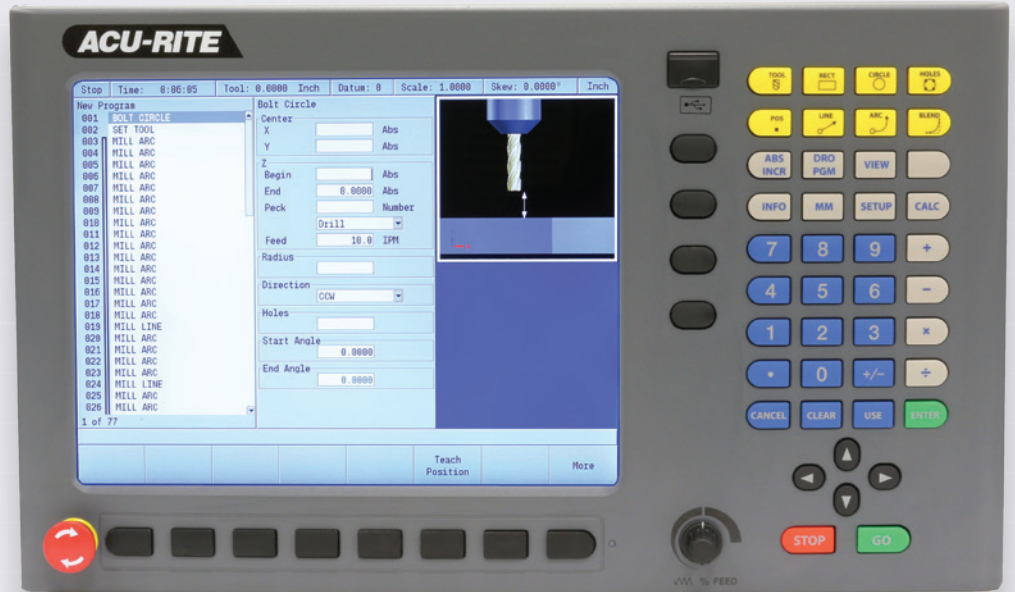
Powerful
conversational
CNC retrofit
system for
knee and
bed mills



ACU-RITE[®]

www.acu-rite.com

From the moment you power up your MILLPWR^{G2} system, you'll know it was built with convenience in mind. From the exceptional clarity of a large full-color LCD display to the added advantage of full 3D contouring capabilities and menu-prompted conversational programming, essential functions are only a key stroke away. Use MILLPWR^{G2} as a full function digital readout system, a programmable CNC control or both. It's powerful enough to handle any job and easy enough for anyone to operate. No prior programming experience necessary.



POWERFUL EASY.

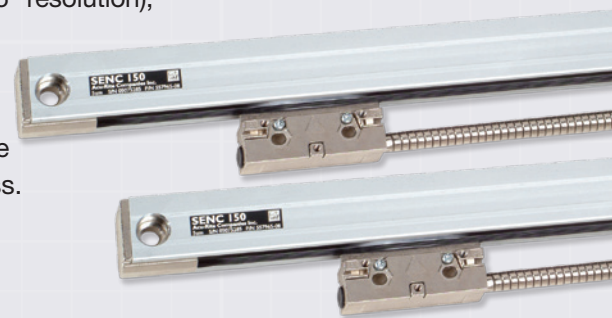
Faster set-ups, shorter run times and a major boost in productivity are just one “powerful easy” retrofit away. The new ACU-RITE MILLPWR^{G2} control and retrofit kits can turn just about any knee mill into a productive CNC machine.

USB and Ethernet compatible, the new G2 features a bright 12.1" high resolution display, 1.4 GHz dual-core processor and plenty of programming capabilities — estimated runtimes, expanded tool/datum offsets, enhanced tool paths, a dxf converter — plus much, much more.

The MILLPWR^{G2} is a contouring control that enables you to program conventional machining operations right at the machine in an easy-to-use conversational programming language. It is designed for both knee mills and bed mills with up to 3 axes closed loop controlled.

MILLPWR^{G2} was developed specifically for machinists where manual and automated operation are both useful and needed. It's designed to maximize throughput by significantly reducing set-up time, scrap, and other non-productive operations, thereby increasing your efficiency, productivity and profitability.

A closed-looped system with positioning feedback provided by ACU-RITE precision linear encoders (1µm/0.00005" resolution), MILLPWR^{G2} also includes Position-Trac™, an advanced, unique feature that enables you to easily, quickly and accurately re-establish work piece zero after shutting down, or power loss.



USER-FRIENDLY

SAVE VALUABLE TIME.

Standardized menus make it easy to program common features, simply press any function key and follow the prompts. Use MILLPWR^{G2} for arcs, blends and circles in any size, shape or pattern your print requires. There is no need to set up rotary tables or other devices. MILLPWR^{G2} also includes an engrave option for engraving alphanumeric characters vertically, horizontally, diagonally or along an arc.

Save time with the skew feature, which enables the user to set up a work piece without perfectly aligning it along the X and Y axes. MILLPWR^{G2} will compensate for the angle offset from start to finish.

The teach position feature allows the operator to use a tool, electronic Edge Finder or indicator to create a program from an existing part.

Tool Library

Create a list of frequently used tools to save time while programming a part.

Tool Offsets

Automatically compensate for the tool's dimensions while machining.

Custom Pocket/Islands

Clear a continuous closed contour with an irregular shape for multiple passes. Tool path estimated for reduced machine time.

Mirror/Repeat/Rotate

Easily manipulate part programs to save time and reduce program steps.

Explode

Explode a program step into several, more detailed steps for easier editing.

Reverse Step/Reverse Path

Switch the end points and tool offset of any step or path.

Change Steps

Change or edit the depth, offset, feed rate of several steps simultaneously.



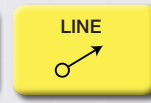
TOOL



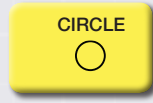
POS



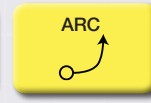
RECT



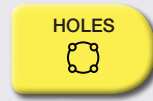
LINE



CIRCLE



ARC



HOLES



BLEND

Tool: Program tools by diameter, length, type, direction, speed.

Position/Drill: Drill, bore, position.

Rectangles: Pocket, frame, face, slot.

Lines: Defined by "from" and "to" points or by angles.

Circles: Pocket, frame, ring, helix.

Arcs: Defined by "from" and "to" points or by sweep, center or 3-points.

Hole Patterns: Full/ partial circles, linear row/column, rectangular frame and array.

Blends: Insert a corner radius between two lines, two arcs or lines and arcs.



USB Connectivity – Front & Back:

Loading and off-loading programs, importing data via USB is now a plug-and-play convenience, with USB ports located on both the front and the back of the new G2 control with mouse and keyboard support.

SHOP TOUGH

DEPENDABLE.

Every MILLPWR^{G2} system includes components that have been designed, manufactured and tested to withstand the elements of contamination found in even the harshest machine shop environment.

From the durable operator console to the hardened ballscrews and powerful DC servo motors, the components of each system are protected with die-cast metal enclosures, sealed keypads and interlocking lipseals to further protect from metal chips and other contaminants.



RETROFIT PACKAGES

WHAT'S IN YOUR SHOP?

Update your existing mill with ease. Custom engineered, bolt-on retrofit packages are available for the following machines:

Kit Includes:

- Remote stop/go switch
- Ball screws
- Precision linear encoders (1um/0.00005" resolution)
- Servo drives and motors
- Motor mounting castings and hardware
- Handwheels
- Console and encoder mounting hardware
- Machine specific bracketry

Plus the G2 CNC control itself.

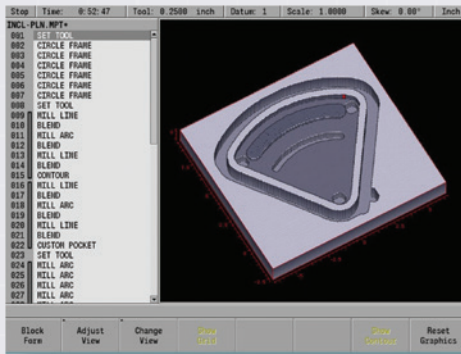
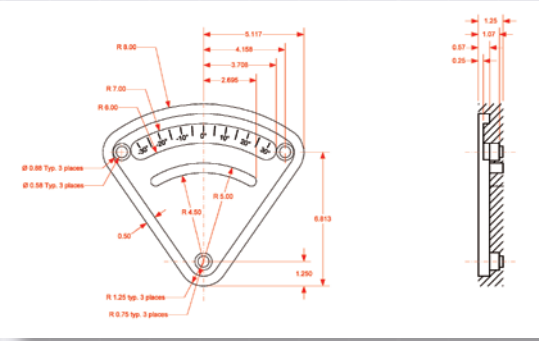
Acer
Acra
Alliant
Argo
Atrump
Birmingham
Bridgeport
Chevalier
Clausing
Enco
Jet
Kent
Lilian
Millport
MSC
Republic Lagun
Sharp
Southbend Lathe
Top One
TurnPro
Vectrax
Victor
Wilton
YCI
... and many more!



CNC systems available for knee mills and bed mills.

Electronics package available for CNC-ready machines.

FROM SKETCHES TO PROGRAM TO FINISHED PARTS IN MINUTES!



Bring a brainstorming session to life with simple features that reduce programming time. DXF file input allows the operator to import part geometry directly from a CAD file. After the DXF file has been loaded, save on MILLPWR^{G2}'s large internal memory, USB or on your PC (via Ethernet) for easy retrieval later on.



VERSATILE CONVENIENT. EFFICIENT.

Use MILLPWR^{G2} as a full function DRO, an intelligent power feed or a programmable CNC. This versatile system allows the operator to switch from full automatic mode to manual mode in just seconds. Import and run G-Code files from CAD/CAM programs to machine full 3D contoured parts. With optional spindle control, you can automatically control your spindle's speed and/or direction on milling machines that are equipped with an electronic variable speed spindle.

Travel Limits

Establish maximum travel limits with software, instead of costly mechanical switches that reduce travel.

Feed Rate Override

Adjust the feed rate without exiting the milling function or program. Spindle speed override in optional spindle control console.

Reference Tables

Look up recommended surface speeds in seconds.

Remote Stop/Go

Start and pause movement with a hand held switch

Jog Control

Move quickly from one location to another utilizing one or all axes simultaneously.



3D GRAPHICS SYSTEM

IMPROVES EFFICIENCY & ACCURACY

Intuitive navigation menus eliminate the need for multiple screens.

Program cycles using a simple, easy-to-understand set of machinist language prompts, are accompanied by content-specific “help” graphics. Here is a step-by-step look at the new G2 graphical interface, as a simple bolt hole circle and pocket are entered.

Full Function DRO

Significantly improve efficiency, productivity and profitability; may be used automatically or manually.

Immediate Part-View Graphics

Verify part-programs before and during machining to reduce errors and scrap; use zoom features for intricate details.

Built-In Calculator

Solve geometry and trigonometry problems. Save time and avoid errors by transferring results directly to your part program.

STEP 1 – All programs begin with the tool. Parameters are entered in the middle column and are graphically supported in the right column for each field.

STEP 2 – Select a cycle to be created. In this case, a circular bolt hole pattern. Once the data has been entered into the form press the USE hard key.

STEP 3 – Create a second cycle. Adding a circular pocket that is mapped in real time within the help graphic screen.

STEP 4 – Tool paths are also displayed in 3D graphics that can be rotated and manipulated. The program is ready to run. Simply press “GO.”

MILLPWRG2

SPECIFICATIONS

DRO Mode

Multiple Datums (Fixture Offset)	99
Skew	Yes
Zero Reset	Yes
Near Zero Warning	Yes

PGM Mode

Estimated Machining Time	Yes
Graphic View	2D Line / 3D Line / 3D Solid
Block Form	Yes, w/ User Override
Custom Pocket & Islands	Yes, Ramp Feed & Optimized Path
Replication (Repeat, Rotate, Mirror)	Yes
Engrave (Line / Arc)	Yes
Program Manager Navigation	Tree w/ Program Type Filter
Long Program Names	Yes
Program Preview	Listing & Graphic w/ Estimated Machining Time
Explode Step	Hole Patterns & Repeat / Rotate / Mirror
Reverse (Step / Path)	Yes
Shift Steps	Yes
Auto Save (Program)	Yes
Program Size Limit (MPT only)	9999 Steps
DXF File Import	Yes
G-code Program	Yes, w/ Graphics Support/Simple Edit
On-Screen Help	User Manual Viewer (Text & Graphics)
Parts Counter & Clock	Yes
Manual / Auto Z Control	Yes, 3 Axes
Optional Stop (G-code Only)	Yes
Feed Override	Potentiometer
Error Compensation	Linear & Bidirectional Non-linear

Hardware

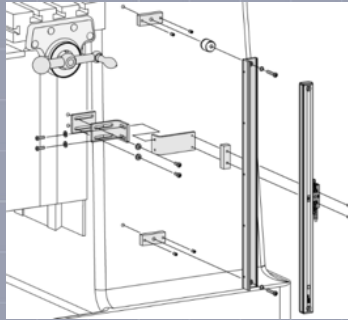
Processor	1.4 GHz Celeron® M
Display	12.1" 1024 x 768 Color LCD with LED backlight
Internal Storage	2.5 GB Flash (User)
Remote Pendant (Stop / Go)	Yes
Housing	Die Cast Metal (Bezel & Back Sheet Metal)
Connections	Ethernet, USB (x2), RS-232
Protection	IP 54 (front) / IP 40 (Back)

Accessories

MILLPWR^{G2} is backed by a comprehensive 2-year warranty and supported by a nationwide network of factory trained and certified distributors. Our distribution network is readily available to provide you with prompt delivery, product training and skilled technical service installation and support.



Knee Scale for Coupling Z (Quill) and W (Knee)



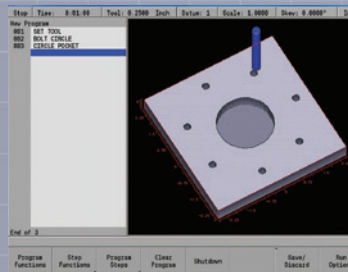
This option provides the machine operator positional feedback on the control when the knee is manual moved.

Electronic Edge Finder or Touch Probe



The edge finder allows you to set datums quickly and easily, without leaving marks on the workpiece.

Options



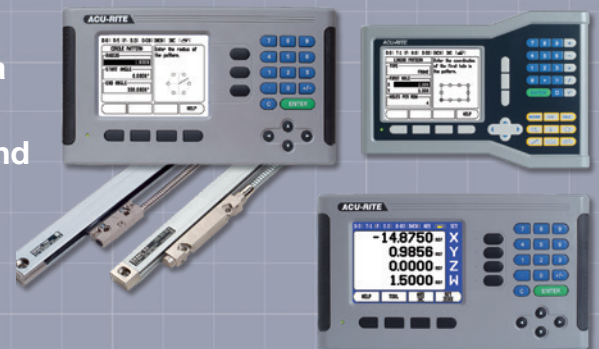
Offline Software

This allows you to create programs on a Windows compatible PC and permits those programs to be loaded into the MILLPWR^{G2} via USB or ethernet.

Upgrade

Upgrading from an old MILLPWR^{II} to MILLPWR^{G2} only requires the new G2 console and mounting arm.

ACU-RITE offers a complete line of digital readouts and precision linear encoders.



ACU-RITE®

333 State Parkway | Schaumburg, IL 60173-5337

877-920-2703 • www.acu-rite.com